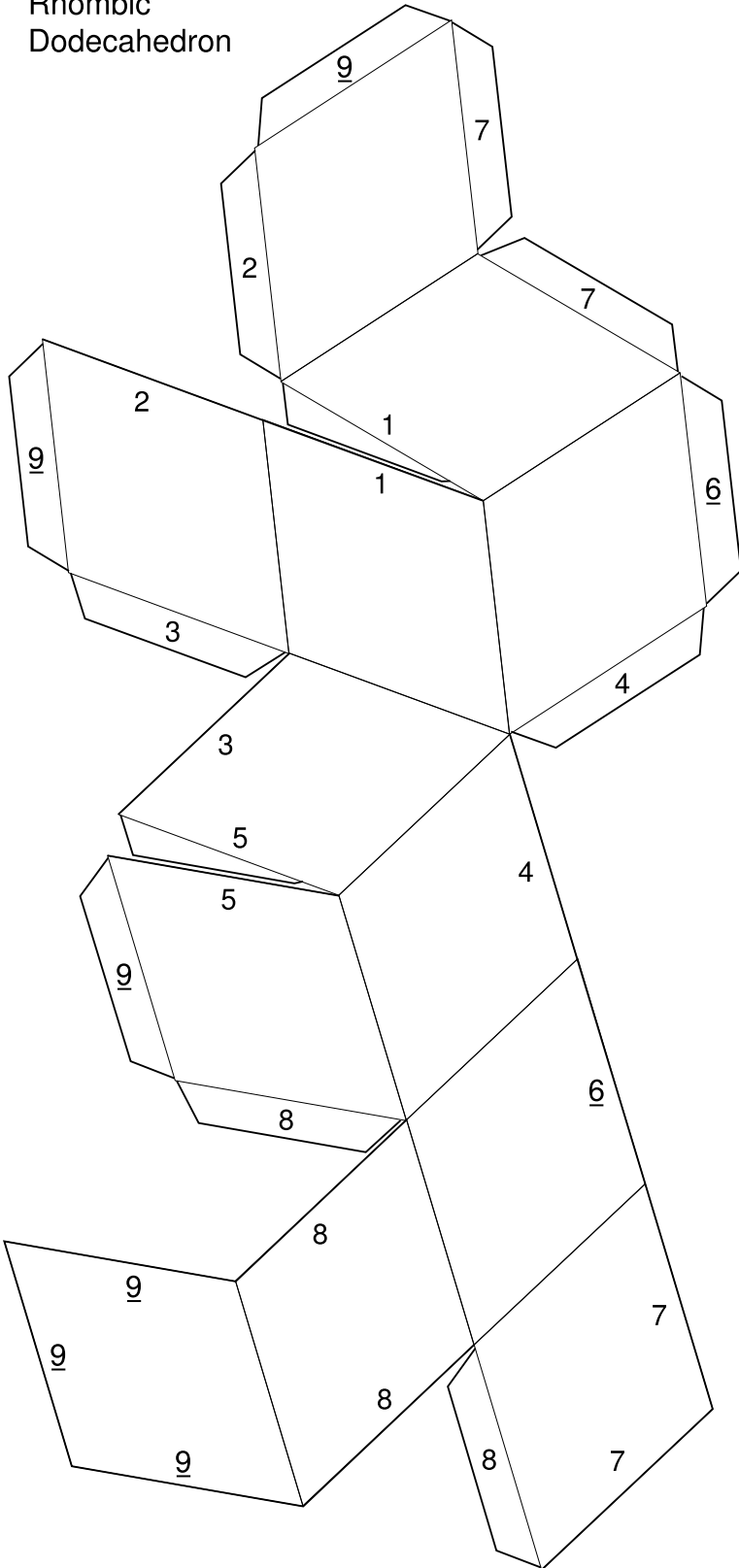


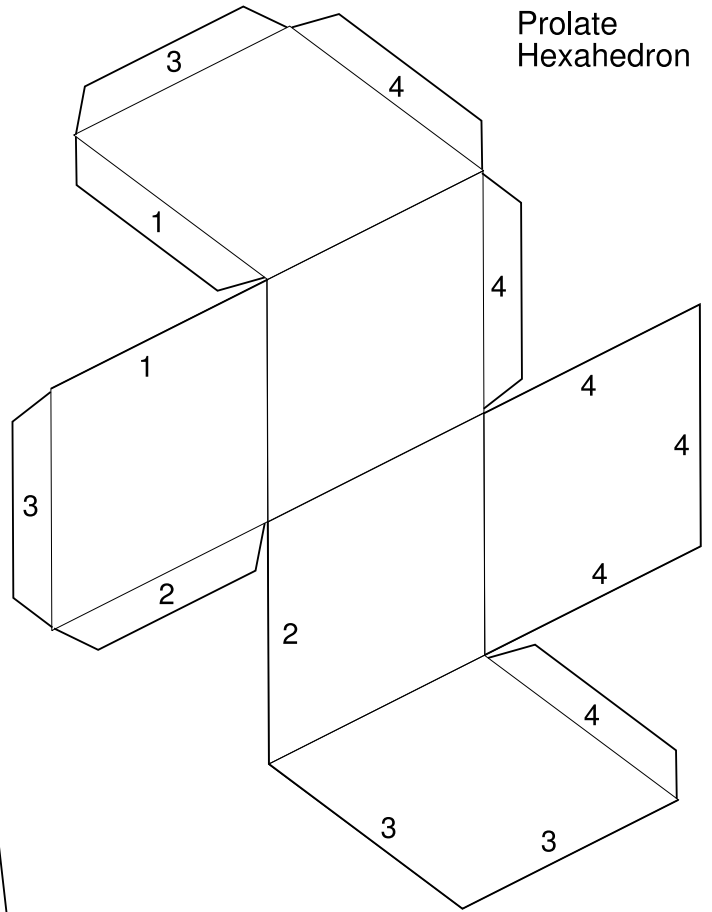
# Sheet 1

Sheets 1 to 3 include one model of each polyhedron. Sheet 4 provides some extra copies of the smaller ones, if you want to build up the larger shapes with them.

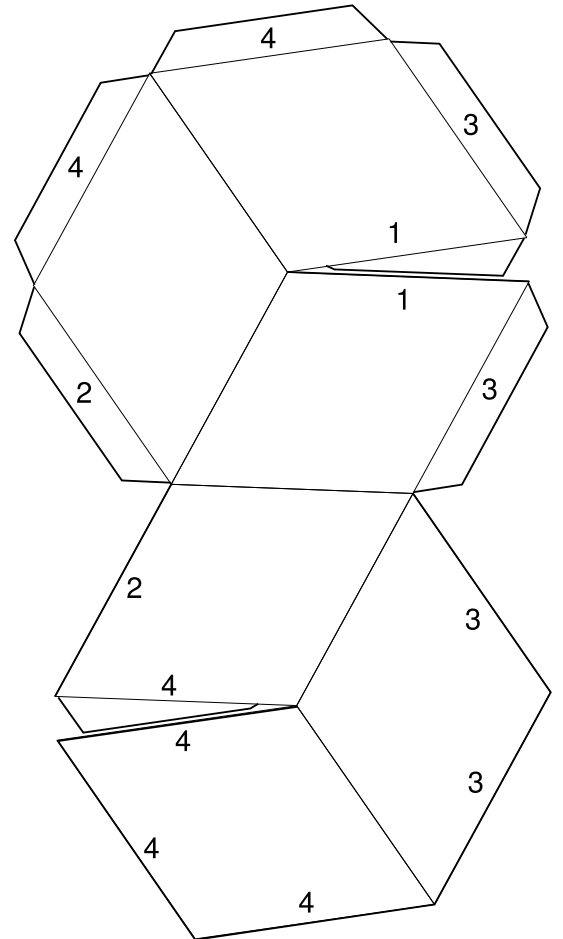
### Rhombic Dodecahedron



### Prolate Hexahedron

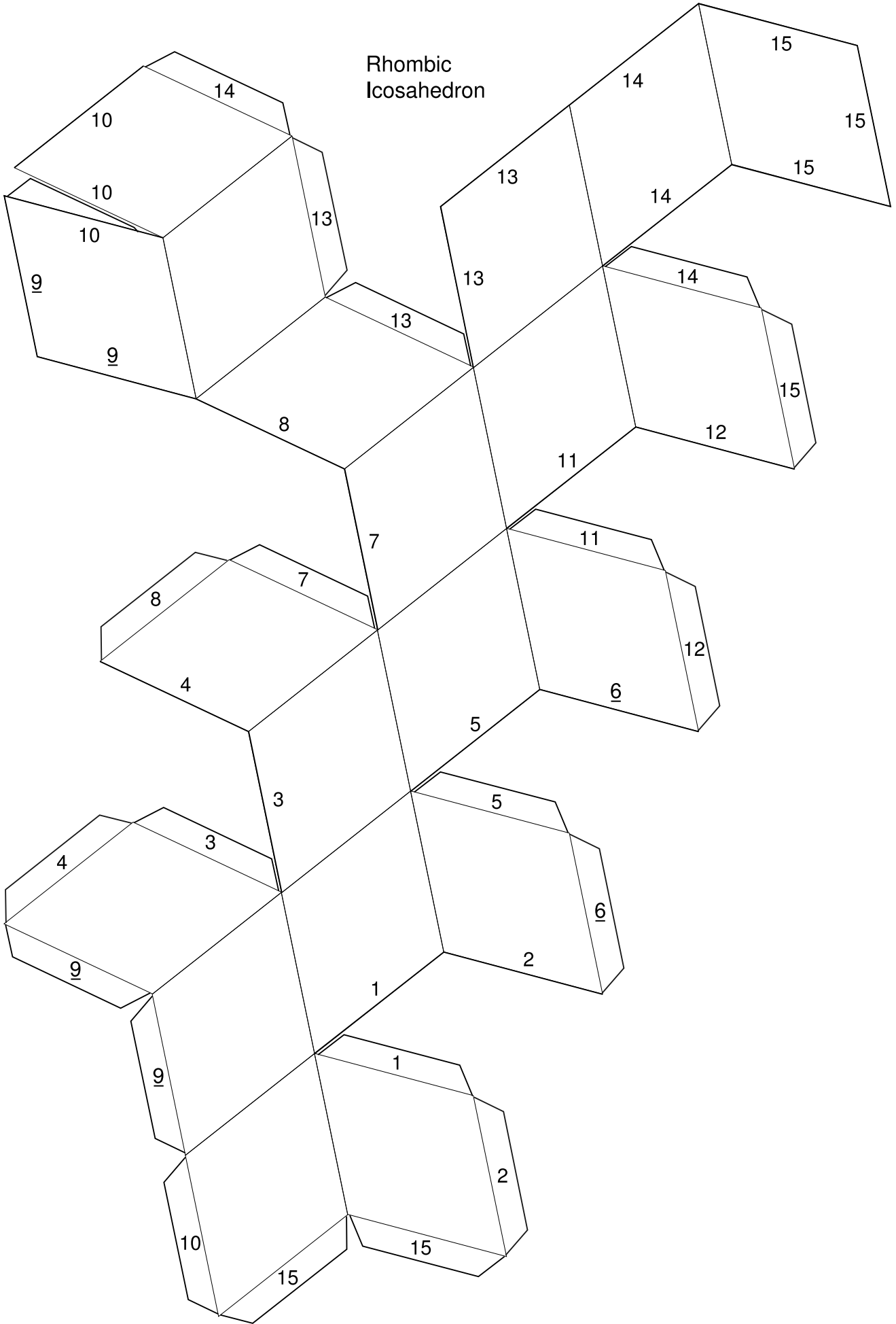


### Oblate Hexahedron



Sheet 2

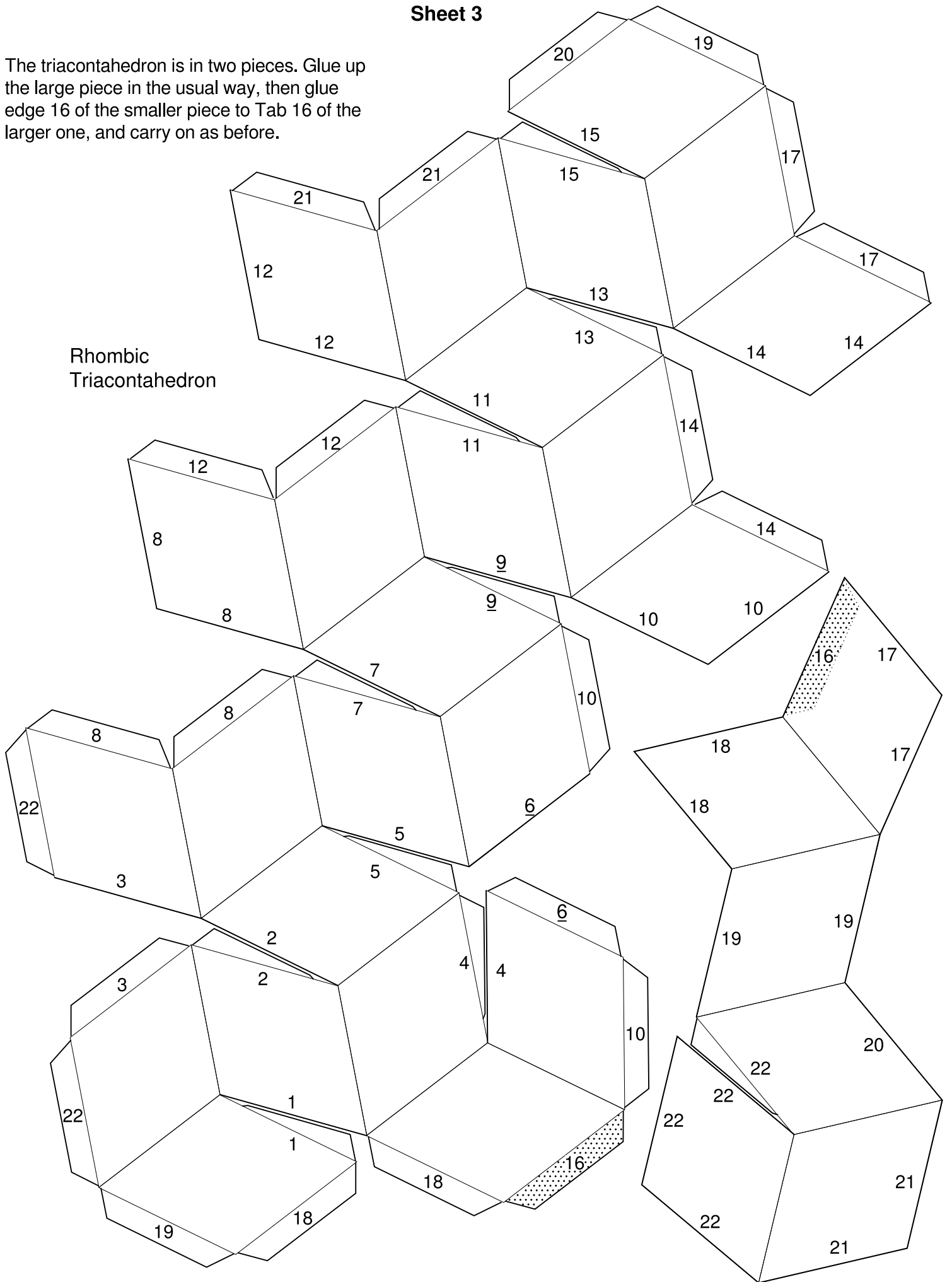
Rhombic  
Icosahedron



# Sheet 3

The triacontahedron is in two pieces. Glue up the large piece in the usual way, then glue edge 16 of the smaller piece to Tab 16 of the larger one, and carry on as before.

Rhombic  
Triacontahedron



# Sheet 4

Extra copies of the hexahedra

